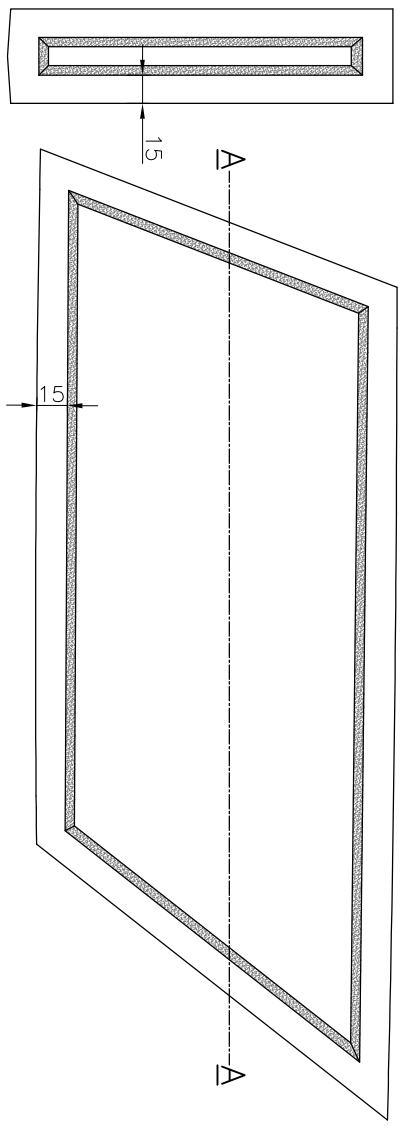
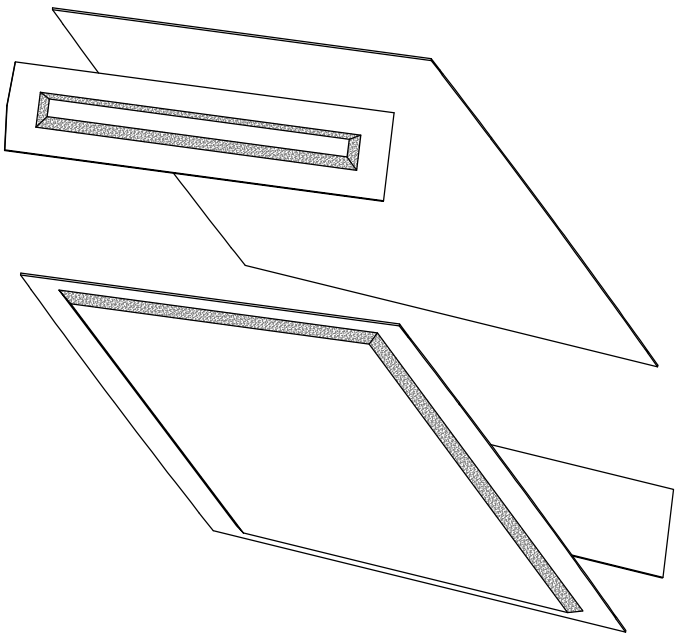


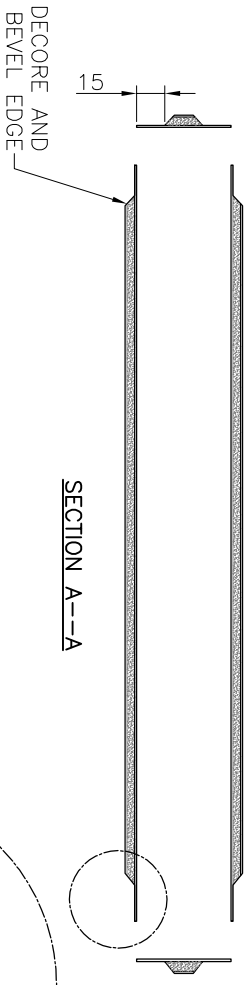
THIS DRAWING AND ALL THE INFORMATION THEREIN REMAINS THE PROPERTY OF ELEMENT NAVAL ARCHITECTURE. IT IS ISSUED ON THE CONDITION THAT, EXCEPT WITH WRITTEN PERMISSION, IT MUST NOT BE REPRODUCED, COPIED OR COMMUNICATED TO ANY OTHER PARTY. IT IS NOT SUITABLE FOR ANY PURPOSE AND IS ISSUED WITHOUT WARRANTY. DON'T COME CRYING BACK TO ME WHEN YOUR BOAT'S SIMKS, SNAPS, CRACKLES AND OR POPS. IN FACT IF YOU USE THIS INFORMATION AT ALL YOU ARE CRAZY AND OR LOOPY. I ONLY PUT IT ON THE WEB BECAUSE IT IS PRETTY AND SO EVERYONE ELSE CAN TELL ME HOW PRETTY IT IS.

ISSUE	DESCRIPTION	DATE	DRAWN
A	INITIAL RELEASE	22.06.14	MARKLA

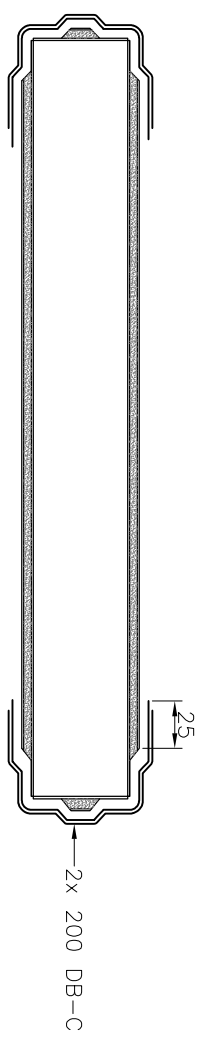


STAGE 1

TRIM INNER SKIN AND DECORE

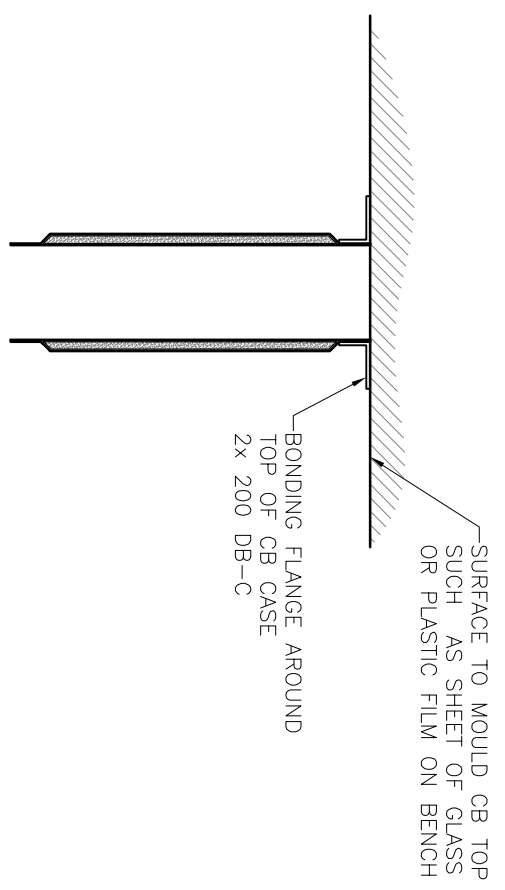
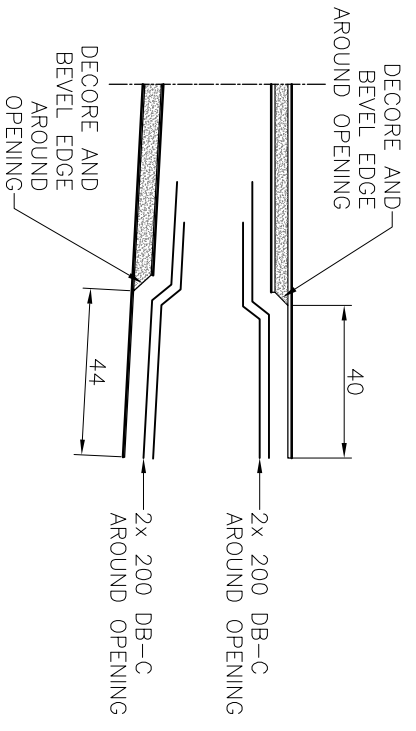
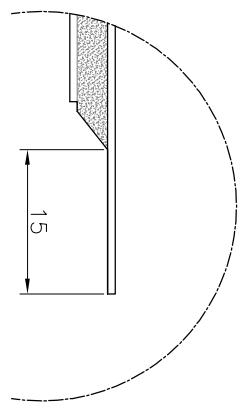


SECTION A--A



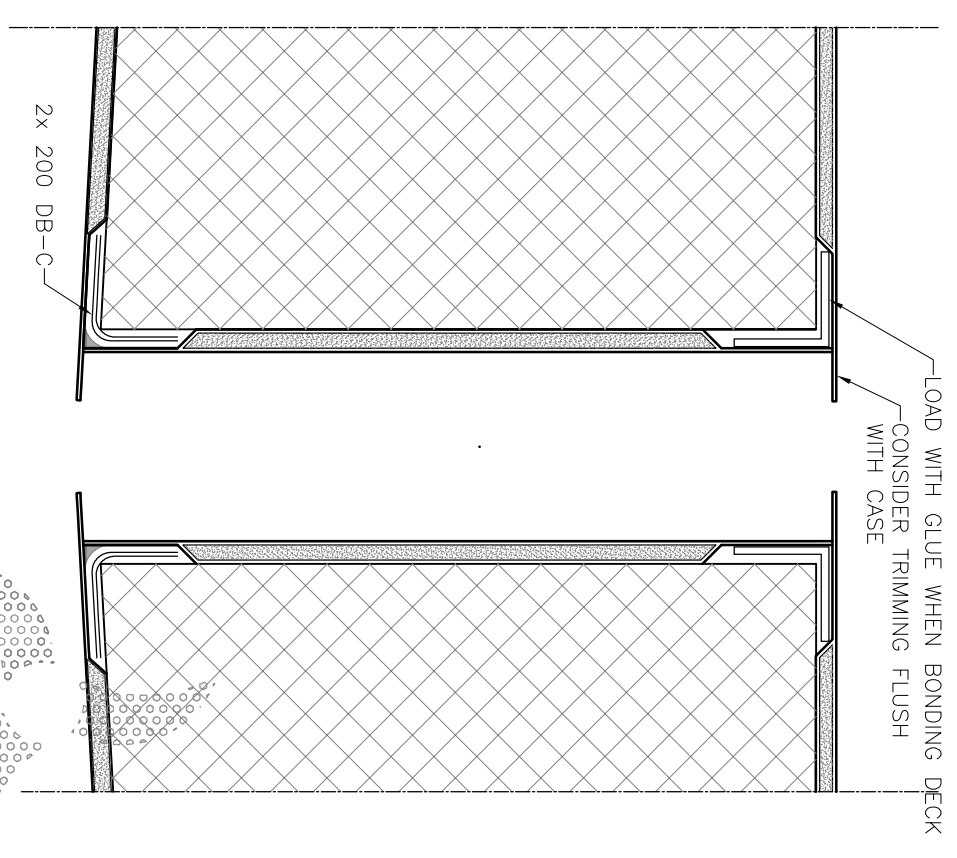
STAGE 2

ASSEMBLE CB CASE



SURFACE TO MOULD CB TOP SUCH AS SHEET OF GLASS OR PLASTIC FILM ON BENCH

BONDING FLANGE AROUND TOP OF CB CASE
2x 200 DB-C

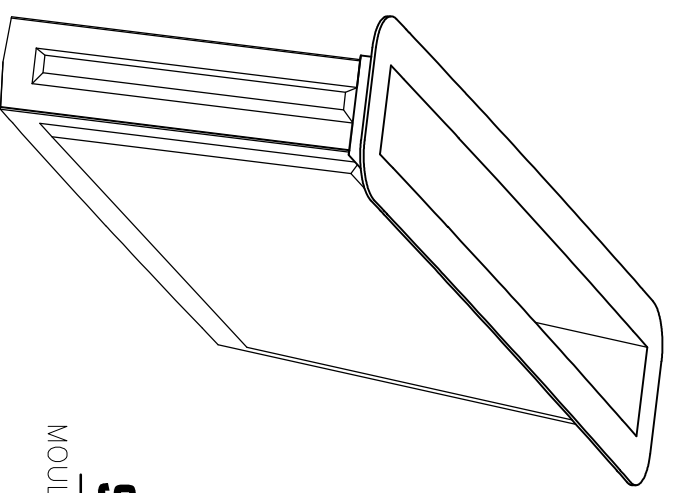


LOAD WITH GLUE WHEN BONDING DECK
CONSIDER TRIMMING FLUSH WITH CASE

STAGE 5

INSTALL CB CASE
SCALE 1:2

ELEMENT
- NAVAL ARCHITECTURE -



STAGE 3

MOULD TOP BONDING FLANGE

PROJECT: mSCOW	TITLE: CENTREBOARD CASE CONSTRUCTION	ISSUE: A
CLIENT: MARKLA	NUMBER: mSCOW-10	
DRAWN: MARKLA		
SCALE: 1:4, 1:2		