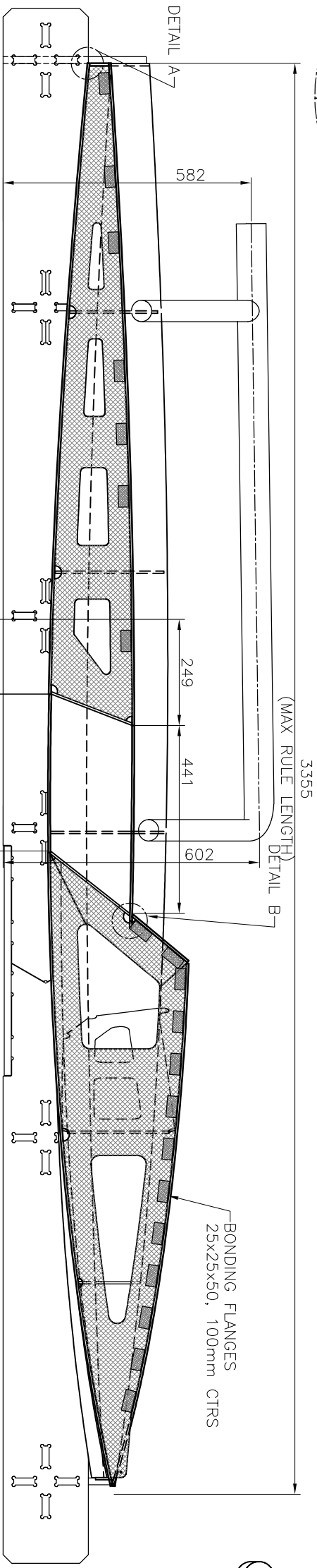
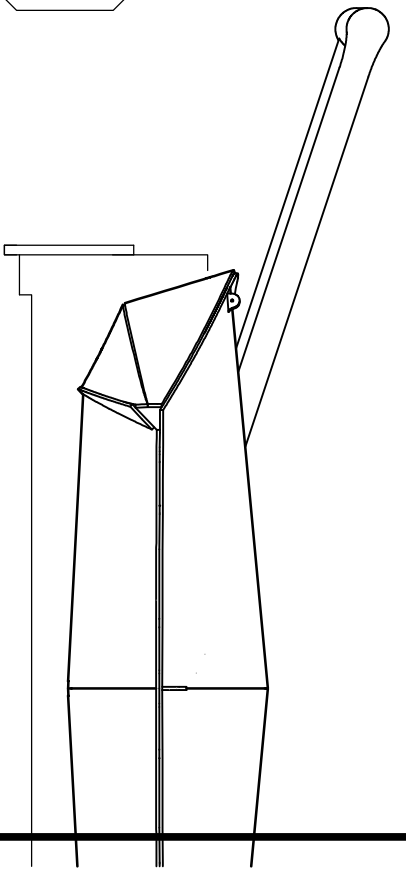


THIS DRAWING AND ALL THE INFORMATION THEREIN REMAINS THE PROPERTY OF ELEMENT NAVAL ARCHITECTURE. IT IS ISSUED ON THE CONDITION THAT, EXCEPT WITH WRITTEN PERMISSION, IT MUST NOT BE REPRODUCED, COPIED OR COMMUNICATED TO ANY OTHER PARTY. IT IS NOT SUITABLE FOR ANY PURPOSE AND IS ISSUED WITHOUT WARRANTY. DON'T COME CRYING BACK TO ME WHEN YOUR BOAT'S SINKS, SNAPS, CRACKLES AND OR POPS. IN FACT IF YOU USE THIS INFORMATION AT ALL YOU ARE CRAZY AND OR LOOPY. I ONLY PUT IT ON THE WEB BECAUSE IT IS PRETTY AND SO EVERYONE ELSE CAN TELL ME HOW PRETTY IT IS.

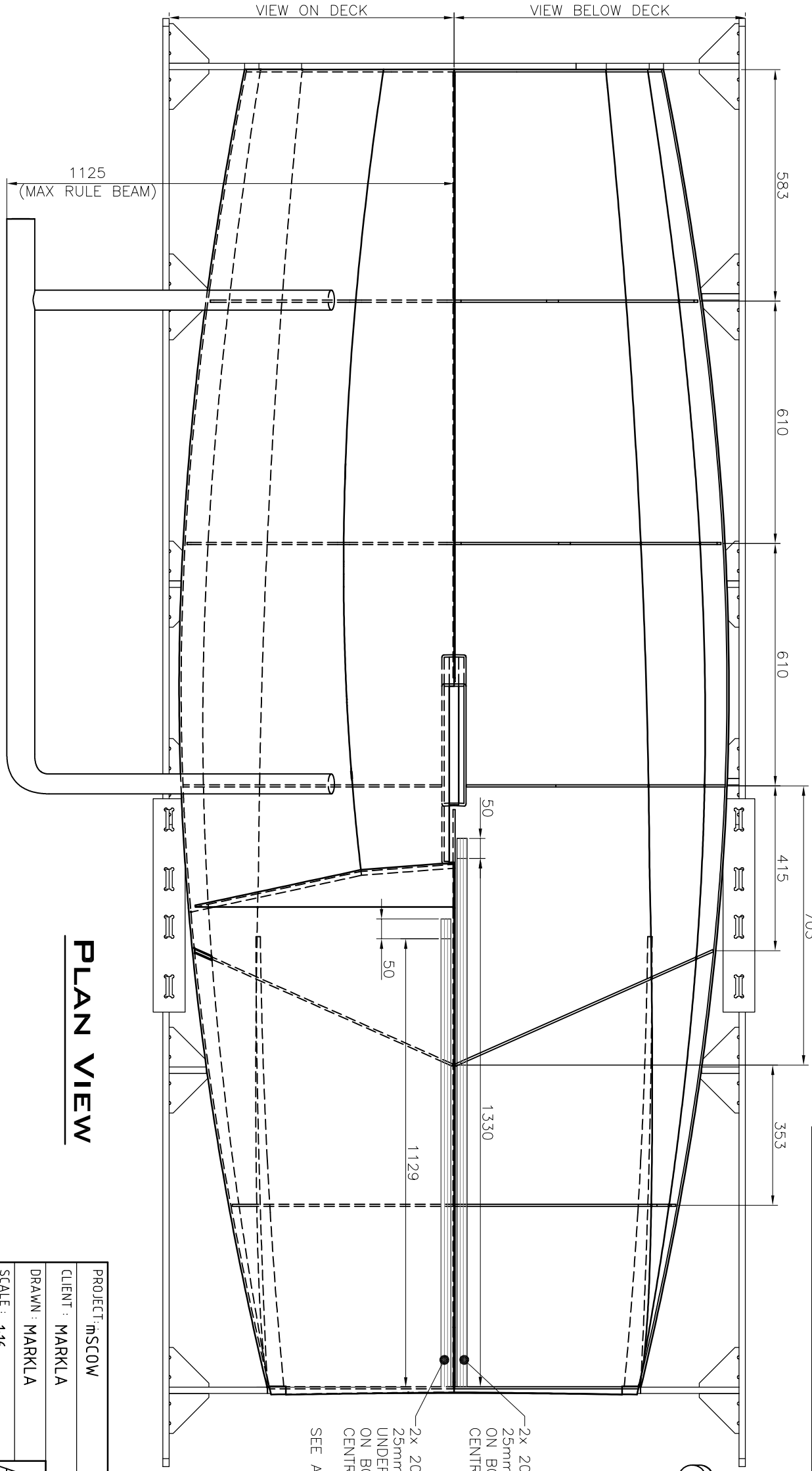
ISSUE	DESCRIPTION	DATE	DRAWN
A	INITIAL RELEASE	14.05.2012	MARKLA
B	FOR CONSTRUCTION	17.6.14	MARKLA



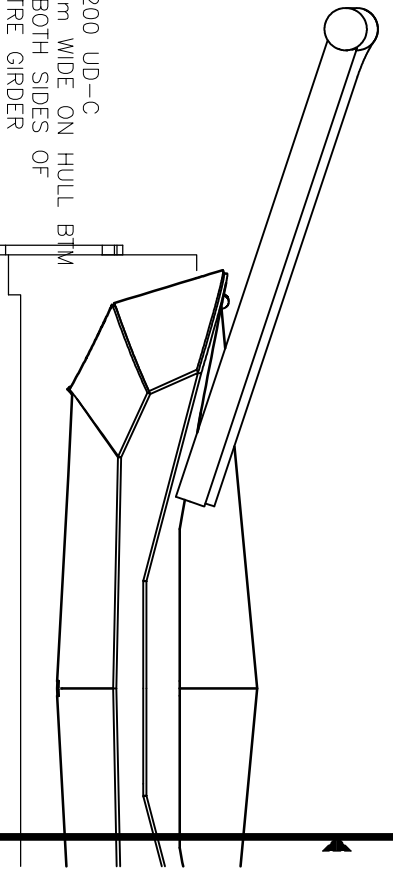
CENTRELINE SECTION



BOW ELEVATION



PLAN VIEW



AFT ELEVATION

2x 200 UD-C ON BOTH SIDES OF CENTRE GIRDER
 25mm WIDE ON HULL BTM
 2x 200 UD-C 25mm WIDE ON UNDERSIDE OF FOREDECK ON BOTH SIDES OF CENTRE GIRDER
 SEE ALSO DWG MSCOW-09

ELEMENT
 - NAVAL ARCHITECTURE -

PROJECT: mSCOW	TITLE: CONSTRUCTION PLAN	ISSUE: B
CLIENT: MARKLA	NUMBER: mSCOW-03	
DRAWN: MARKLA		
SCALE: 1:16		